

Capsule Pressure Gauges Solid-Front Process Gauge Types 612.34, 632.34 & 662.34

WIKA Datasheet 6X2.34

Applications

- Where measurement of low pressures is needed
- Suitable for corrosive environments and gaseous or liquid media that will not obstruct the pressure system
- Process industry: chemical/petrochemical, power stations, mining, on and offshore, environmental technology, mechanical engineering and plant construction

Special features

- Solid front thermoplastic case
- Brass, 316SS or Monel® wetted parts
- Ranges from 10" H₂O

Standard Features

Design

ASME B40.100

Sizes

4½ (115 mm) dial size

Accuracy class

± 2/1/2% of span (ASME B40.100 Grade A)

Ranges

6X2.34: 10"H₂O to 10 psi or other equivalent units of pressure or vacuum

Working pressure

Steady: full scale value

Fluctuating: 0.9 x full scale value

Operating temperature

Ambient: -4°F to +140°F (-20°C to +60°C)

Medium: +212°F (+100°C) maximum

Temperature error

Additional error when temperature changes from reference temperature of 68°F (20°C) ±0.6% for every 18°F (10°C) rising or falling. Percentage of span.

Weather protection

Weather resistant (NEMA 3 / IP54)



Bourdon Tube Pressure Gauge Model 632.34

Pressure connection

Material: copper alloy - Type 612.34

Material: 316L stainless steel - Type 632.34

Material: Monel® - Type 662.34

Lower mount (LM)

1/4" or 1/2" NPT

Capsule element

Material: copper alloy - Type 612.34

Material: 316L stainless steel - Type 632.34

Material: Monel® - Type 662.34

Movement

Stainless steel

Dial

White aluminum with black lettering, stop pin at 6 o'clock

Pointer

Black aluminum, adjustable

Case

Black glass-reinforced thermoplastic (PBTP)

Solid front, blowout back

Turret-style case with built in rear flange lugs

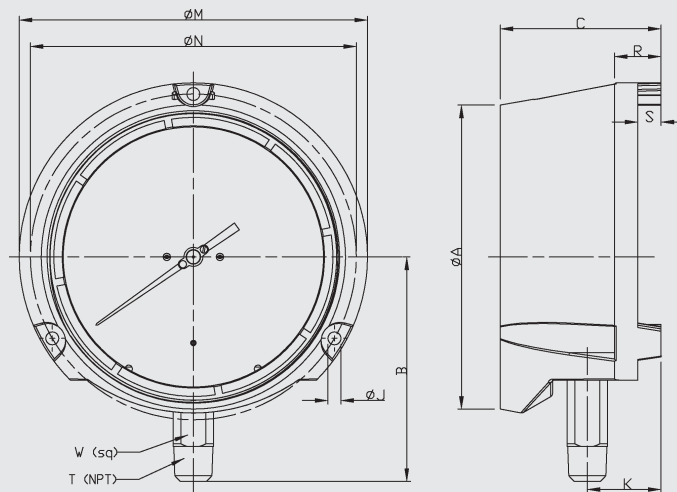
Window

Clear acrylic with Buna-N gasket

Optional extras

- Threaded restrictor
- 10X overpressure or vacuum safety
- Panel mounting adaptor kit (field assembled)
- Instrument glass or safety glass window
- Special process connections
- Custom dial layout
- Case fillings available, ranges 40" H₂O & up

Dimensions



Size		A	B	C	J	K	M	N	R	S	T	W	Weight ¹
4.5"	mm	128	103	84	6.3	40	148	136.5	25	12.5		22	
	in	5	4.06	3.31	0.248	1.57	5.83	53.7	0.99	0.49	1/2"	0.87	2 lb.

¹ Weight without optional accessories

Ordering information

Pressure gauge model / Nominal size / Scale range / Size of connection / Optional extras required
Specifications and dimensions given in this leaflet represent the state of engineering at the time of printing.
Modifications may take place and materials specified may be replaced by others without prior notice.



WIKAL Instrument Corporation
1000 Wiegand Boulevard
Lawrenceville, GA 30043
Tel (770) 513-8200 Toll-free 1-888-WIKA-USA
Fax (770) 338-5118
E-Mail info@wika.com
www.wika.com